

BEAVERTAIL LOW LOADER



SAFE AND SECURE . . .

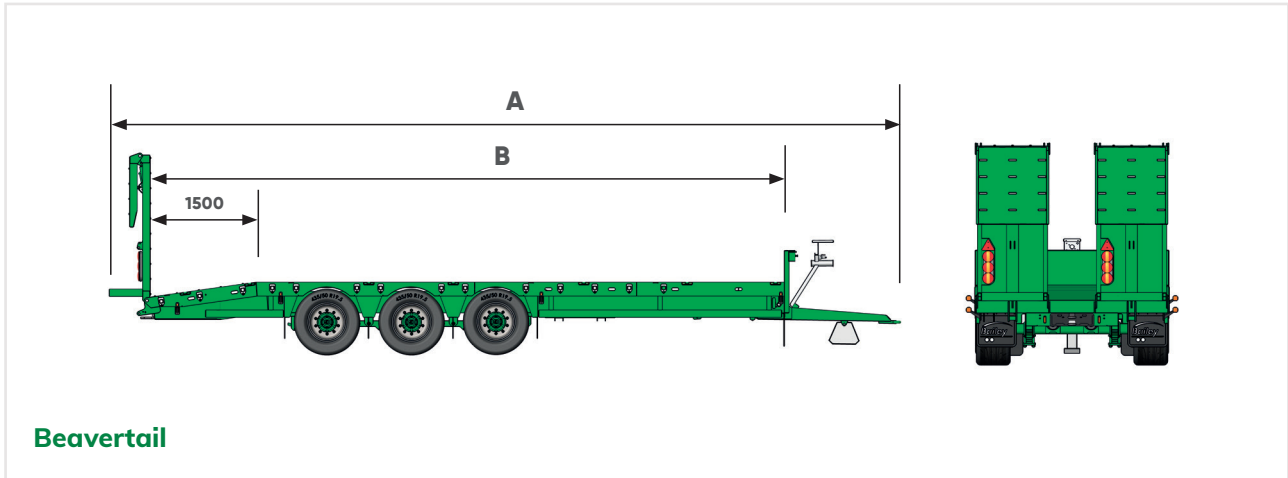
Beavertail Low Loaders are available in 15 & 20 tonnes and are mounted on a tandem or tri-axle springs.

Features include: hydraulic 900 mm wide loading ramps, 38 mm hardwood planed floor, fully road legal lights, heavy-duty axles and wheels are standard. All models are 2500 mm overall width, and a deck height of 900 mm with addition of outriggers if required.

STANDARD FEATURES

- Low 15 B/T independent hydraulic brakes
- Low 20 B/T air brakes and load sensing
- Parking brakes
- Heavy-duty EN8 towing eye
- Commercial axles
- 215/75x17.5 twins
- 1500 mm Beavertail
- Hydraulic loading ramps
- Hardwood floor
- Skid & skid carrier
- LED lights
- Number plate holder
- Rear mudguard and flaps
- LED beacon
- Lashing rings in the floor
- Strap points
- Toolbox
- Anti-chip paint on headboard
- 900mm Deck height





Model	Length mm	Body length B mm	Body width mm	Number of axles	Axle beam mm/studs	Brake size	Brakes	Tyre size	Chassis
LOW 15 B/T	5500 + 1500 Beavertail	7000	2500	2	2xcom/10	310x190	Hydraulic Brakes	215x75 Twins	300x150 RHS
	6500 + 1500 Beavertail	8000	2500						
	7500 + 1500 Beavertail	9000	2500						
	8500 + 1500 Beavertail	10,000	2500						
LOW 20 B/T	6500 + 1500 Beavertail	8000	2500	3	3xcom/10	310x190	Air Brakes	215x75 Twins	300x150 RHS
	7500 + 1500 Beavertail	9000	2500						
	8500 + 1500 Beavertail	10,000	2500						
	9500 + 1500 Beavertail	11,000	2500						
	10500 + 1500 Beavertail	12,000	2500						
	11500 + 1500 Beavertail	13,000	2500						

BAILEY TRAILERS LIMITED

Pride Parkway, Sleaford, Lincolnshire NG34 8GL

+44 (0) 1529 303411 sales@baileytrailers.co.uk baileytrailers.co.uk