

CONTRACT TIPPER

ON SITE OR ON FARM . . .

Our Contract Tipper is the perfect solution for hauling either topsoil or stone. Additionally, when specified with the optional extension sides this trailer is ideal for hauling significant amounts of grain.

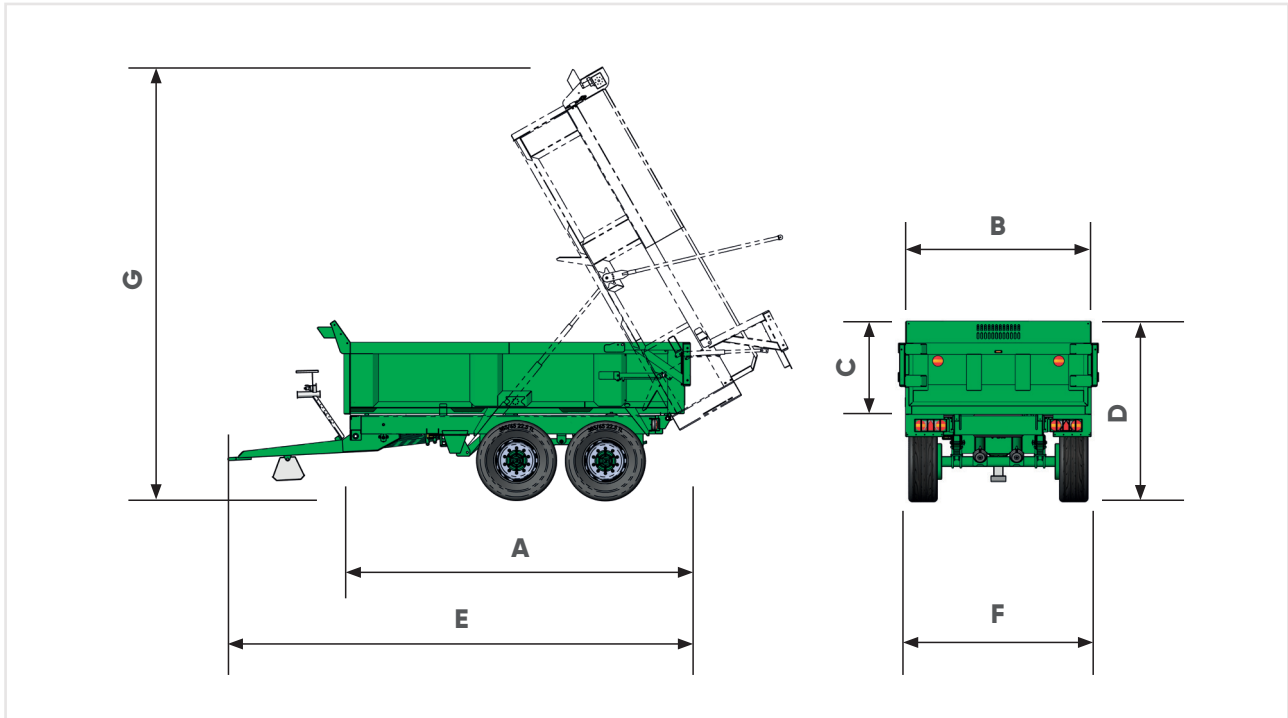
We build our Contract Tipper on a rugged, heavy-duty RHS bottom chassis. The axles are mounted on tandem springs for stability over a variety of terrains. Further strength is gained from the reinforced sides and floor, which makes this trailer a stronger option when compared to conventional grain trailers.



STANDARD FEATURES

- Air brakes with load sensing CT17-CT28
- Hydraulic door
- Hydraulic brakes
- Heavy-duty EN8 towing eye
- Parking brakes
- CT14-CT28 Mudguards & tail door lights
- Heavy-duty floors and sides
- Front aggregate guard
- LED lights
- LED beacon
- Chromed rams
- Body prop
- Anti-chip paint on headboard





Model	CT 8	CT 10	CT 12	CT 14	CT 17	CT 20	CT 24	CT 28	
Dimensions									
Body length	A mm	3750	4000	4500	5000	5500	6000	6500	7000
Body width	B mm	2500	2500	2500	2500	2500	2500	2500	2500
Body height	C mm	600	700	750	900	1000	1000	1100	1100
Loading height	D mm	1660	1775	2050	2200	2300	2450	2550	2550
Overall length	E mm	5250	5550	6050	6550	7050	7550	8050	8550
Overall width	F mm	2640	2640	2640	2640	2640	2640	2640	2640
Tipped height	G mm	4770	4960	5180	5770	6480	6960	7400	7930
Floor thickness	mm	8	8	8	8	10	10	10	10
Side thickness	mm	6	6	6	6	8	8	8	8
Body capacity	m³	5.41	6.82	7.90	10.6	12.9	14.1	16.6	18.0
Misc.									
Hydraulic oil	L	24.6	24.6	40.0	40.0	40.0	48.8	60	65
Number of axles		2							
Axle beam	mm/studs	2x80/8	2x90/8	2xcom/10			3xcom/10		
Brake size		350x90	406x120	420x180		420x220	420x220	422x220	
Brake option		H			H/A				
Tyre size		435/50 R19.5		385/65 R22.5		445/65 R22.5			
Bottom chassis		200x100 RHS		250x150 RHS		300x150 RHS			
Top chassis		150x75 RHS			150x100 RHS				

BAILEY TRAILERS LIMITED

Pride Parkway, Sleaford, Lincolnshire NG34 8GL

+44 (0) 1529 303411 sales@baileytrailers.co.uk baileytrailers.co.uk