

# ROOT SPECIALS



## WHEN YOU'RE LIFTING ROOT CROPS

**Root Specials are designed specifically to meet the needs of root crop businesses.**

**Longer and lower** – than standard grain trailers.

**Arched window** – for improved visibility when loading.

**Long reach chromed cylinders** – capable of achieving approximately 50° of tip.

**Root trailers are tough operators** – an 8 or 10 mm

**Hydraulic braking system** – works in tandem with the tractor, vital for sudden braking.

**RHS chassis** – provides the core strength.

**Heavy-gauge sides** – plus strengthening channels and heavy-gauge floors with hollow section runners at 300 mm centres.

**Rugged side ladders** – aid stability for operators when working above the trailer height.

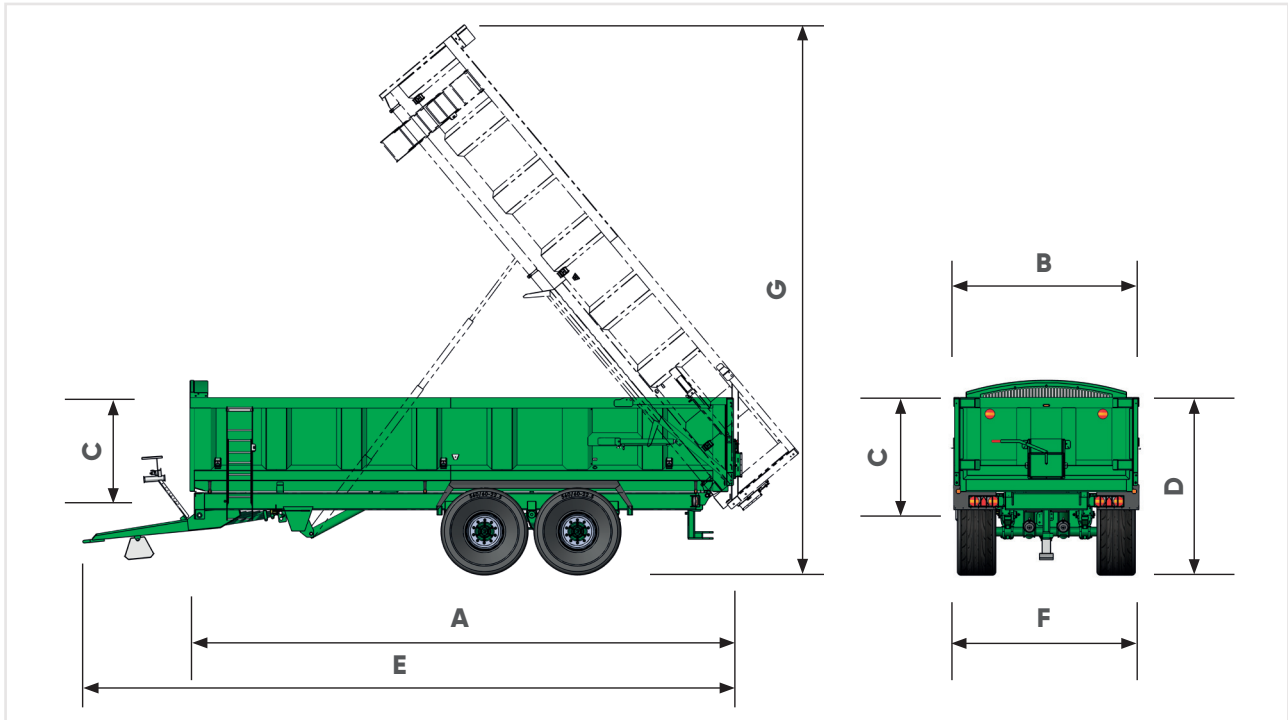
**Heavy-duty commercial axles** – on tandem springs and a sprung drawbar featuring a leaf spring ensures the ride is smooth on all terrains – partially or fully loaded.



### STANDARD FEATURES

- Air brakes and load sensing Root 15-24
- Sprung drawbar
- Hydraulic brakes
- Root 12-18 2xcom/10 axles
- Root 20 3xcom/10 axles
- 385/65 R22.5 tyres
- Heavy-duty EN8 towing eye
- Parking brakes
- Hydraulic rear door
- Arched full front window
- Skid full front window
- Skid & skid carrier
- Hydraulic hose carrier
- LED lights
- Side Ladder
- Rear top lights
- LED beacon
- Mudguards
- Chromed rams
- Body prop
- Anti-chip paint on headboard





Model		ROOT 12	ROOT 14	ROOT 15	ROOT 16	ROOT 18	ROOT 20
<b>Dimensions</b>							
Body length	<b>A mm</b>	6000	6600	7200	7800	8400	9000
Body width	<b>B mm</b>	2500	2500	2500	2500	2500	2500
Body height	<b>C mm</b>	1150	1150	1150	1150	1150	1150
Loading height	<b>D mm</b>	2440	2440	2440	2440	2500	2500
Overall length	<b>E mm</b>	7600	8200	8800	9400	10000	10600
Overall width	<b>F mm</b>	2760	2760	2760	2760	2760	2760
Tipped height	<b>G mm</b>	6700	7100	7600	8000	8600	9200
Body capacity	<b>m<sup>3</sup></b>	16.20	17.80	19.70	22.20	23.02	24.02
<b>Misc.</b>							
Hydraulic oil	<b>L</b>	33.5	36.5	40.0	40.0	42.0	52.0
Number of axles				2			
Axle beam	<b>mm/studs</b>			2xcom/10			3xcom/10
Brake size		406x120		420x180			420x180
Brake option				H/A			
Tyre size				385/65 R22.5			
Bottom chassis		250x100 RHS		250x150 RHS			300x150 RHS
Top chassis		150x75 RHS		150x100 RHS			200x100 RHS

## BAILEY TRAILERS LIMITED

Pride Parkway, Sleaford, Lincolnshire NG34 8GL

+44 (0) 1529 303411 [sales@baileytrailers.co.uk](mailto:sales@baileytrailers.co.uk) [baileytrailers.co.uk](http://baileytrailers.co.uk)